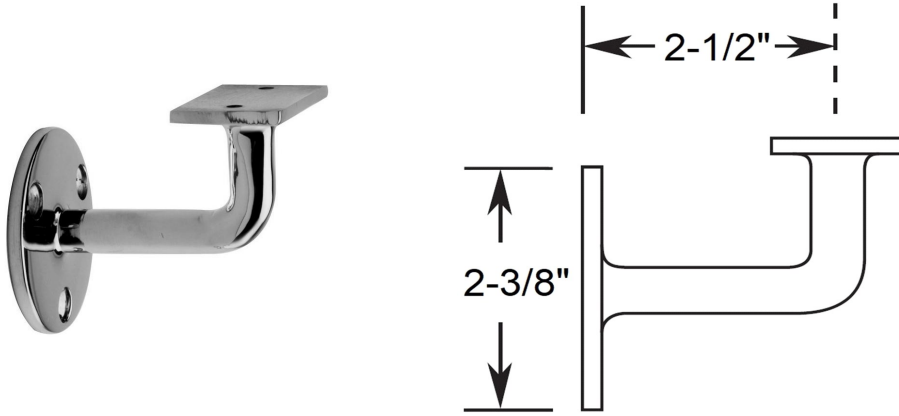


LR-14-310 Satin Nickel Flat Rail Bracket



Architectural hardware provides a unique breadth of decorative hardware brackets for mounting metal railings in all kinds of settings. And, like your handrail, footrail, stair railing, kitchen rail system or other railing, brackets may be available in a variety of finishes in addition to traditional brass fittings, including white, stainless steel, and more. All brackets are supplied with necessary hardware for proper installation.

Note:
Fittings are supplied with self-drilling, self-tapping hardware.
Mount brackets to stud in wall.
Maximum spacing between brackets is 4 feet.
Consult local codes for rail height and other requirements.