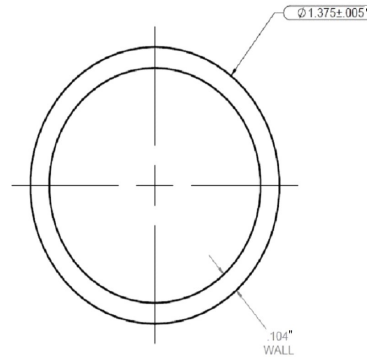
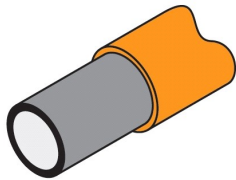


**20-A110SL Steel Insert for 1-1/2" Diameter Tubing**

The 20-A110SL steel insert has a 1-3/8" outside diameter and fits inside 1-1/2" x 0.05" wall architectural tube. The insert serves to reinforce the tube and is available in 12 foot stock lengths.

Application where this inserts is commonly used

- Vertical railing posts
- Closet rod
- Dance poles

**Hardware Included:**

No hardware is included with this item.

**Related Items:**

Insert into 00-A110, 40-A110 or 44-A110.

**Shipping:**

Lengths up to 8 feet can ship by UPS.

Lengths longer than 8 feet ship by LTL freight (truck).

Custom cut lengths can be made.

Call toll free at 877-810-4116 to talk to a specialist about your specific application.