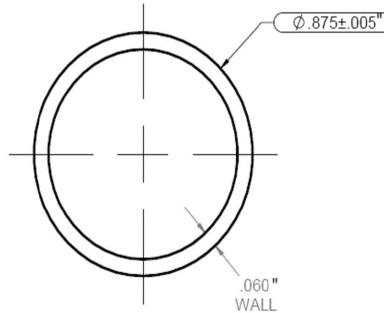
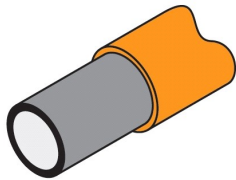


20-A100SL Steel Insert for 1" Diameter Tubing

The 20-A100SL steel insert has a 7/8" outside diameter and fits inside 1" x 0.05" wall architectural tube. The insert serves to reinforce the tube and is available in 12 foot stock lengths.

Application where this inserts is commonly used

- Vertical railing posts
- Closet rod
- Dance poles

Hardware Included:

No hardware is included with this item.

Related Items:

Insert into 00-A100, 40-A100 or 44-A100.

Shipping:

Lengths up to 8 feet can ship by UPS.

Lengths longer than 8 feet ship by LTL freight (truck).

Custom cut lengths can be made.

Call toll free at 877-810-4116 to talk to a specialist about your specific application.