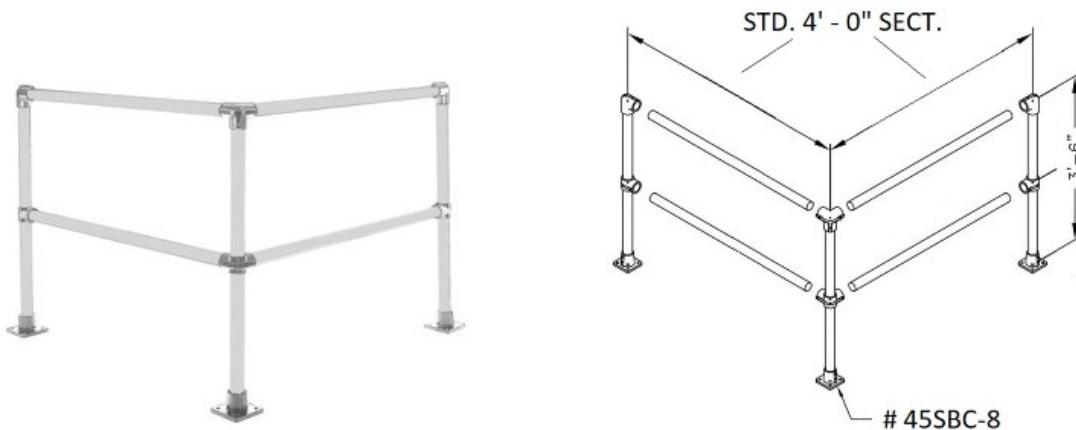


52-50150 Corner Section, Aluminum, 4 ft.+4 ft., Bright Dip Anodized Finish with 45SBC



The Bright Dip Anodized Aluminum Double Line Safety Corner Kit consists of

- * One corner post
- * Two end posts
- * Horizontal top and mid rails

This kit has two sections that extend 4 feet on each side (post center to post center).

Material Specs:

Posts: Bright Dip Anodized Aluminum 6063-T6, 1 ½" IPS, Schedule 40/.145 wall (1.90 O.D.)

Rails: Bright Dip Anodized Aluminum 6063-T6, 1 ½" IPS, Schedule 40/.145 wall (1.90 O.D.)

Speed-Rail® Components: 535 Almag aluminum magnesium sand cast alloy, per ASTM B26