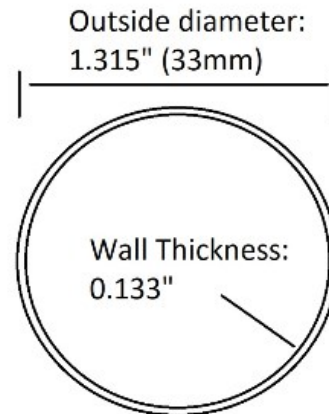


LB-50BK-A106/6 Black Anodized Aluminum 6 FT Closet Rod 1-5/16" OD



A106 premium closet rod is made of quality steel and is available in several different architectural finishes. Outside diameter is 1-5/16".

- Chrome rods have a 0.08" wall thickness - the industry leading thickness
- Brass and white rods have a 0.06" wall thickness
- Brushed stainless rods have a 0.05" wall thickness

Rods are available in 6 and 8 foot lengths. The chrome rod is also available in a 12 foot length.

The shipping cost for items 8 feet (96 inches) and over is notably higher because of freight carrier surcharges. To avoid this additional expense we ask that you consider ordering a shorter length, if possible. We can provide custom cut lengths just below 8 feet. Contact us for details.

For longer lengths use internal splice 00-830/1.3125

Use with our broad selection 1" IPS slip-on fittings to create custom assemblies.

Maximum support bracket center-to-center bracket spacing is 4 feet.

Rods can easily be machine or hand-cut to exact lengths to provide a custom fit. Custom cutting is also available.

Clean with a non-abrasive metal cleaner. Apply with a soft, damp cloth.

Call toll free at 877-810-4116 to speak with a product specialist.