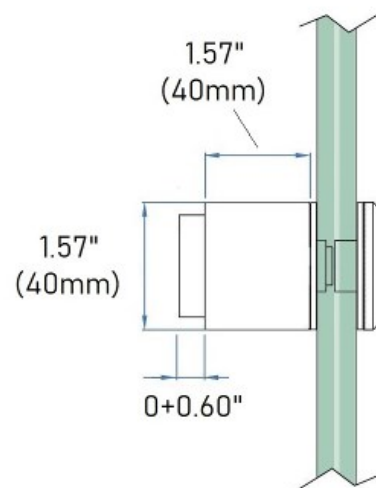


**E640075 Glass Standoff 1.57" (40mm) Round - Adjustable Depth - for Glass Thickness 1/2 - 19/32" - in Satin Stainless Steel 316**



This 1.57" (40mm) round wall mount glass clamp from IAM Design is made of 316 grade stainless steel, has a brushed (satin) finish and is designed to hold 1/2 – 19/32" thick glass. It has an offset from the wall to the glass of 1.57" (40mm) which can be extended an additional 0.60" (15mm). Mount this bracket on a wall (recommended on a stud) using hardware appropriate for the material that it mounts on.

E640075 can be used both indoors and outdoors.

**Material Care:** Clean with stainless steel cleaner and protectant, item# CAE-ZClearnKIT.

Consult local building codes for rail height, wall offset and other requirements.

Call toll free at 877-810-4116 to speak with a product specialist.