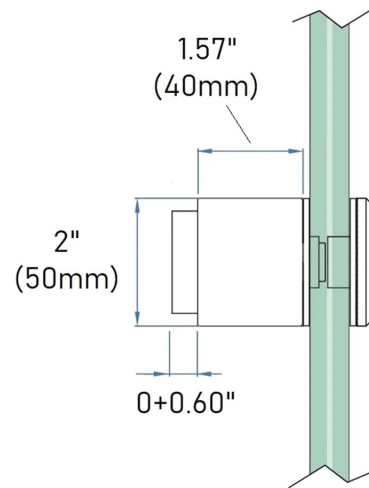


**E620080 Glass Standoff 2" Round - Adjustable Depth - for Glass Thickness 21-32 - 27/32" - in Satin Stainless Steel 304**



This 2" (50mm) round wall mount glass clamp from IAM Design is made of 304 grade stainless steel, has a brushed (satin) finish and is designed to hold 21/32 – 27/32" thick glass. It has an offset from the wall to the glass of 1.57" (40mm) which can be extended an additional 0.60" (15mm). Mount this bracket on a wall (recommended on a stud) using hardware appropriate for the material that it mounts on.

E620080 is recommended for indoor use only.

**Material Care:** Clean with stainless steel cleaner and protectant, item# CAE-ZClearnKIT.

Consult local building codes for rail height, wall offset and other requirements.

Call toll free at 877-810-4116 to speak with a product specialist.