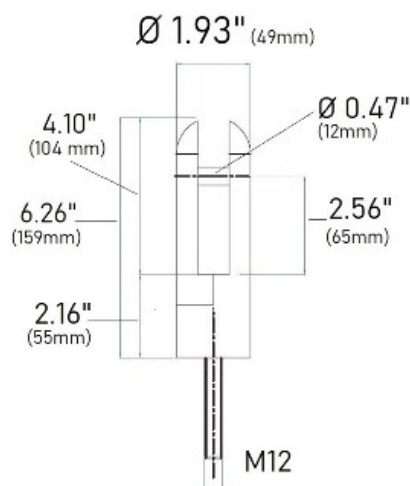


E2000200 Round Core Drill Spigot - 316 SST - for 1/2" and 11/16" Glass



This floor mount round glass clamp from IAM Design is made of 316 grade stainless steel, has a brushed (satin) finish, is 1.93" (49mm) in diameter, and is designed to hold 1/2 and 11/16" thick glass. Mount in the floor with a M12 threaded bolt.

This product is ideal for creating a sleek, modern looking railing solution on decks, balconies, and around pools.

E2000200 can be used both indoors and outdoors.

Hardware Included:

M12 (12mm) threaded bolt.

Material Care: Clean with stainless steel cleaner and protectant, item# CAE-ZClearnKIT.

Consult local building codes for rail height, wall offset and other requirements.

Call toll free at 877-810-4116 to speak with a product specialist.