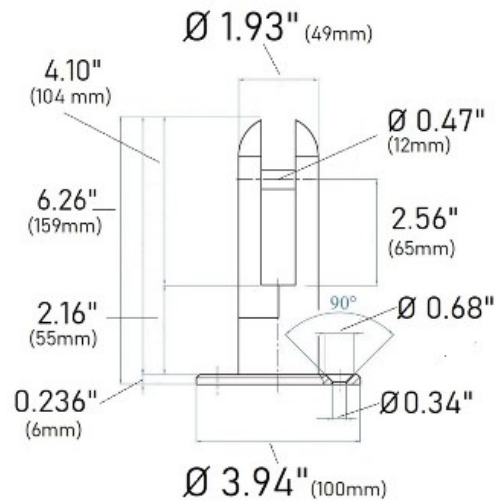


**E2000600 Round Floor Mount Spigot - 316 SST - for 1/2" and 11/16" Glass**



This floor mount round glass clamp from IAM Design is made of 316 grade stainless steel, has a brushed (satin) finish, is 1.93" (49mm) in diameter, and is designed to hold 1/2" and 11/16" thick glass. The flange on the bottom is 3.94" in diameter and has three countersunk holes for mounting to the floor.

This product is ideal for creating a sleek, modern looking railing solution on decks, balconies, and around pools.

E2000600 can be used both indoors and outdoors.

**Material Care:** Clean with stainless steel cleaner and protectant, item# CAE-ZClearnIT.

Consult local building codes for rail height, wall offset and other requirements.

Call toll free at 877-810-4116 to speak with a product specialist.