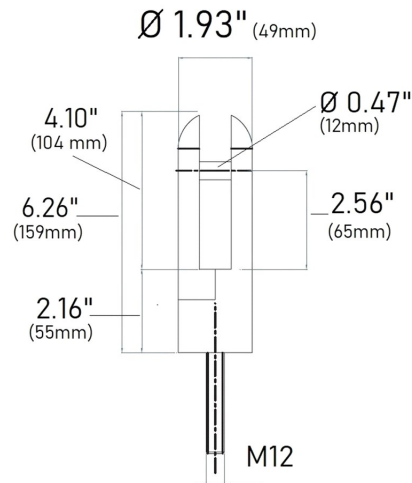


## E2000100 Round Core Drill Spigot - 304 SST - for 1/2" and 11/16" Glass



This core drill round glass clamp from IAM Design is made of 304 grade stainless steel, has a brushed (satin) finish, is 1.93" (49mm) in diameter, and is designed to hold 1/2 and 11/16" thick glass. Mount in the floor with a M12 threaded bolt.

This product is ideal for creating a sleek, modern looking railing solution on decks, balconies, and around pools.

E2000100 is recommended for indoor use only.

**Hardware Included:**

M12 (12mm) threaded bolt.

**Material Care:** Clean with stainless steel cleaner and protectant, item# CAE-ZClearnKIT.

Consult local building codes for rail height, wall offset and other requirements.

Call toll free at 877-810-4116 to speak with a product specialist.