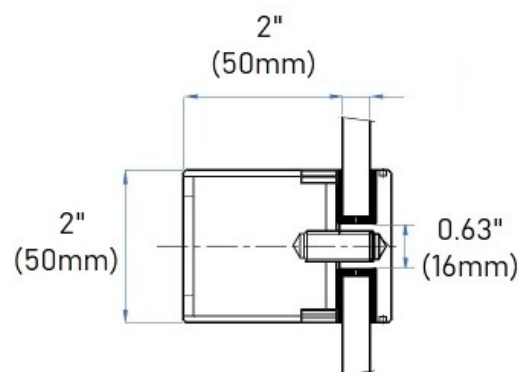


E40911 Glass Standoff 2" Round - 2" Depth - for 5/16 - 21/32" Glass Thickness - in Satin Stainless Steel 316



This 2" round wall mount glass clamp from IAM Design is made of 316 grade stainless steel, has a brushed (satin) finish and is designed to hold 5/16 – 21/32" thick glass. It has an offset from the wall to the glass of 2" (50mm). Mount this bracket on a wall (recommended on a stud) or on a rectangular vertical post using hardware appropriate for the material that it mounts on.

E40911 can be used both indoors and outdoors.

Material Care: Clean with stainless steel cleaner and protectant, item# CAE-ZCleanKIT.

Consult local building codes for rail height, wall offset and other requirements.

Call toll free at 877-810-4116 to speak with a product specialist.