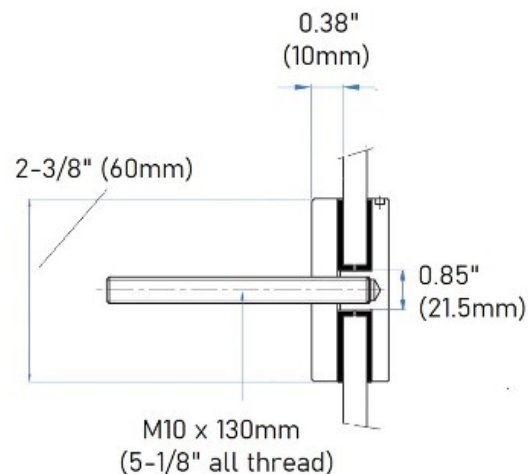


E40960 Glass Standoff 2-3/8" Round - 0.38" Depth - for 5/16 - 21/32" Glass Thickness - in Satin Stainless Steel 316



This 2-3/8" round wall mount glass clamp from IAM Design is made of 316 grade stainless steel, has a brushed (satin) finish and is designed to hold 5/16 – 21/32" thick glass. It has an offset from the wall to the glass of 0.38" (10mm) and comes complete with a threaded bolt. Mount this bracket on a wall (recommended on a stud) or on a rectangular vertical post using the included hardware or alternate depending on the material the bracket is being mounted upon.

E40960 can be used both outdoors and indoors.

Hardware Included:

M12 (12mm) threaded bolt, 5-1/8" all thread in total.

Material Care: Clean with stainless steel cleaner and protectant, item# CAE-ZClearnKIT.

Consult local building codes for rail height, wall offset and other requirements.

Call toll free at 877-810-4116 to speak with a product specialist.