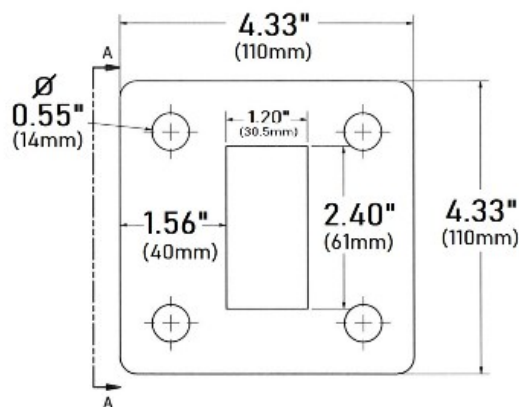


**49-594/6030** Welding Flange for Rectangular Tube in Stainless Steel 316 for Tubing Size-2.36"x1.18" (60x30)



This floor mount flange is made of 316 grade stainless steel, has a mill finish and is designed to hold 2.36" x 0.78" rectangular tube. Weld the tube to the flange (do not use adhesive or fasteners). It has four thru holes to mount on the floor using appropriate hardware for the material that the flange is being mounted upon.

**Hardware Included:**

None

**Material Care:** Clean with stainless steel cleaner and protectant, item# CAE-ZCleanIT.

Use with tube 49-RL4926/6030 and flange canopy 49-RL4513/6030