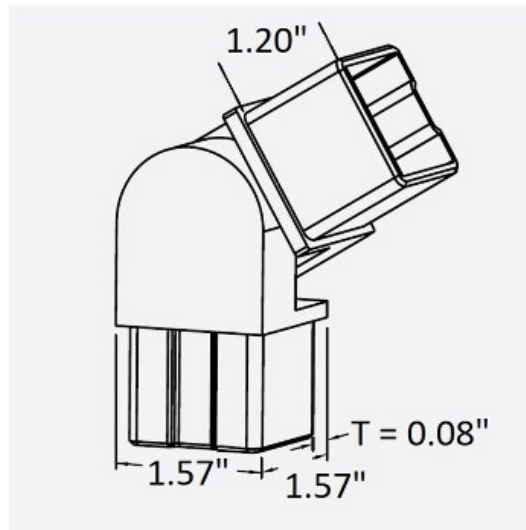


**49-732ASQ/40** Adjustable Flush Ell - 316 Grade Satin (Brushed) Stainless Steel - for 1.57" Square Tubing (0.08" Wall)



The Adjustable Flush Elbow for square tube is available in stainless steel and is designed to enable the connection of two equal tubes at various angles.

**Flush fittings DO NOT include screws.** Attached the tubes to the fitting with Lido Weld adhesive, LB-00201 and primer 00211.