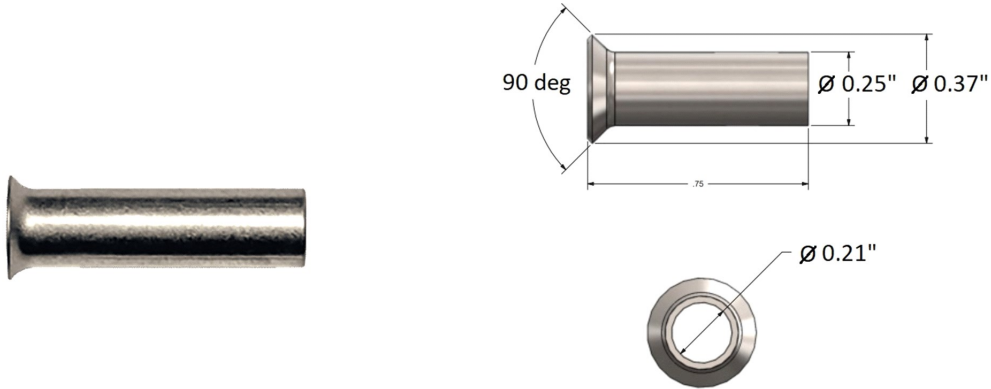


CS-Tube Stainless Steel Protector Tube For 1/8" or 3/16" Cable Rail



To keep the cable from biting in the wood, the stainless steel post protector tube is inserted into a wood post where the cable enters/exits the post at an angle. See drawings for details.