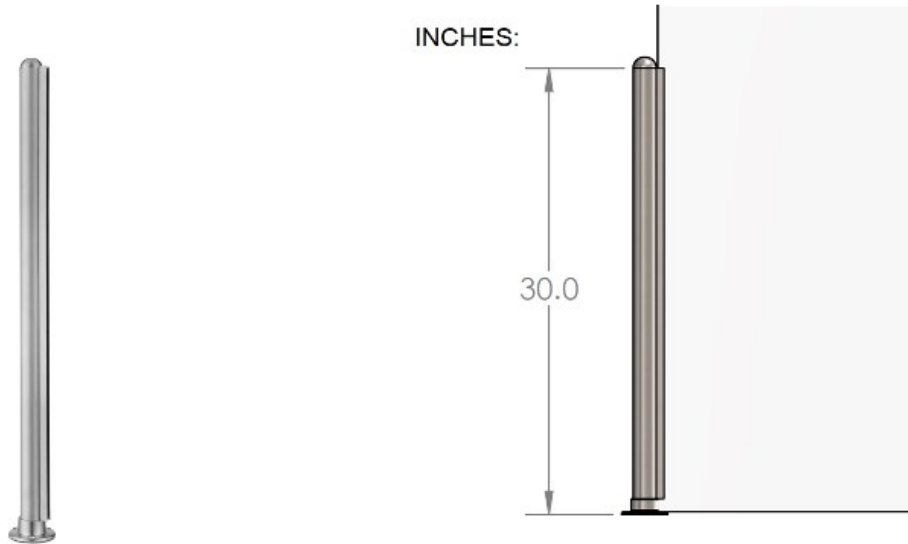


## 44-PR55/E 30" High Booth Divider End Post in Satin Stainless Steel 304



The 44-PR55/E Divider Booth Post is made of brushed (satin) 304 grade stainless steel, 1-1/2" round tube, has a height of 30", and is designed to hold a 1/4" thick panel. Each post comes with a half-ball end cap on top, a round flange attached at the bottom, and one u-channel that holds a panel in place.

The u-channel **does not have a stopper** at the bottom and therefore allows for the panel to rest on the flange.

Maximum center-to-center post spacing is 4 feet.

**Material Care:** Maintain with stainless steel cleaner and protectant, item# CAE-ZCLeankIT.

Consult local building codes for rail height, wall offset and other requirements.

Call toll free at 877-810-4116 to speak with a product specialist.