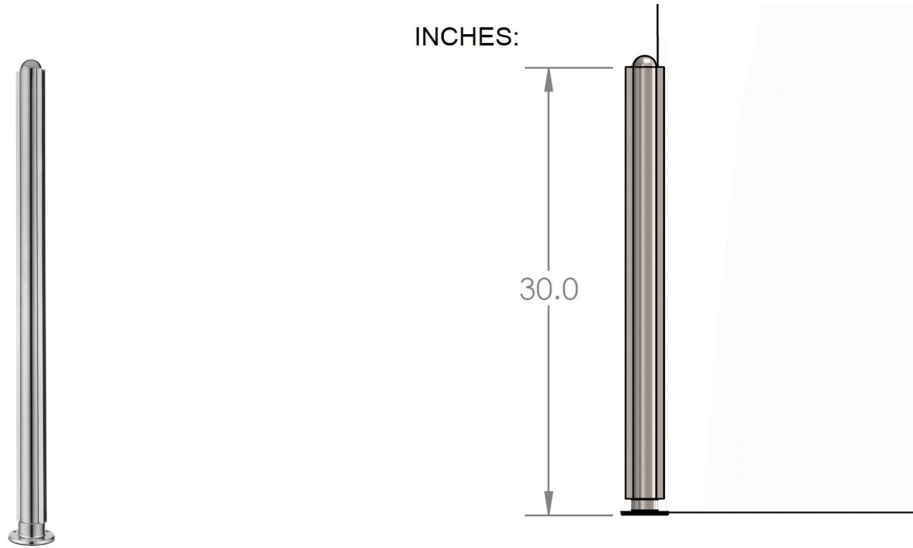


40-PR55/C 30" High Booth Divider Center Post in Polished Stainless Steel 304



The 40-PR55/C Divider Booth Post is made of polished 304 grade stainless steel, 1-1/2" round tube, has a height of 30", and is designed to hold 1/4" thick panels. Each post comes with a half-ball end cap on top, a round flange attached at the bottom, and two u-channels that hold the panels in place.

The u-channels **do not have stoppers** at the bottom and therefore allow for the panels to rest on the flange.

Maximum center-to-center post spacing is 4 feet.

Material Care: Maintain with stainless steel cleaner and protectant, item# CAE-ZClearnKIT.

Consult local building codes for rail height, wall offset and other requirements.

Call toll free at 877-810-4116 to speak with a product specialist.