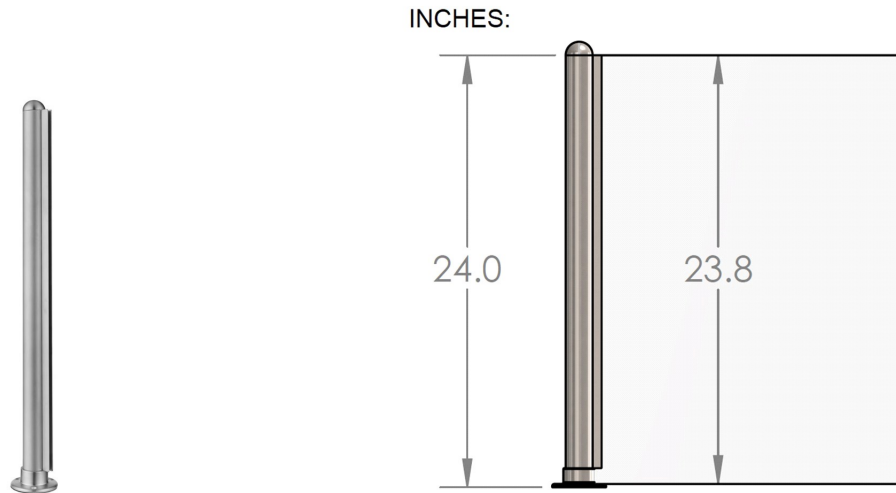


44-PR53/E 24" High Booth Divider End Post in Satin Stainless Steel 304



The 44-PR53/E Divider Booth Post is made of brushed (satin) 304 grade stainless steel, $\frac{1}{2}$ " round tube, has a height of 24", and is designed to hold a $\frac{1}{4}$ " thick panel. Each post comes with a half-ball end cap on top, a round flange attached at the bottom, and one channel that holds a panel in place.

The u-channel **does not have a stopper** at the bottom and therefore allows for the panel to rest on the flange.

Maximum center-to-center post spacing is 4 feet.

Material Care: Maintain with stainless steel cleaner and protectant, item# CAE-ZClearnKIT.

Consult local building codes for rail height, wall offset and other requirements.

Call toll free at 877-810-4116 to speak with a product specialist.