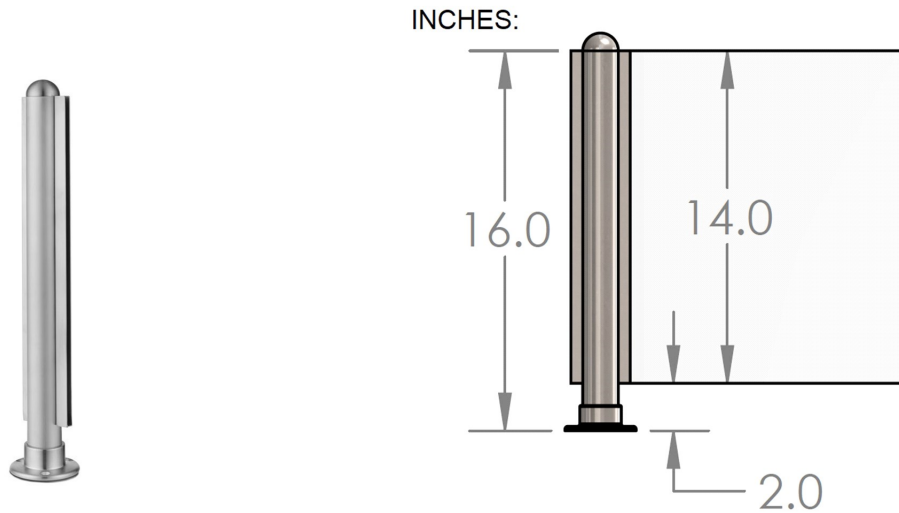


44-PR51/C 16" High Booth Divider Center Post in Satin Stainless Steel 304



The 44-PR51/C Divider Booth Post is made of brushed (satin) 304 grade stainless steel, $\frac{1}{2}$ " round tube, has a height of 16", and is designed to hold $\frac{1}{4}$ " thick panels. Each post comes with a half-ball end cap on top, a round flange attached at the bottom, and two u-channels that hold the panels in place.

The u-channels come with stoppers at the bottom that allow for the panels to be $\frac{1}{2}$ " above the finished floor.

Maximum center-to-center post spacing is 4 feet.

Material Care: Maintain with stainless steel cleaner and protectant, item# CAE-ZCLeankIT.

Consult local building codes for rail height, wall offset and other requirements.

Call toll free at 877-810-4116 to speak with a product specialist.