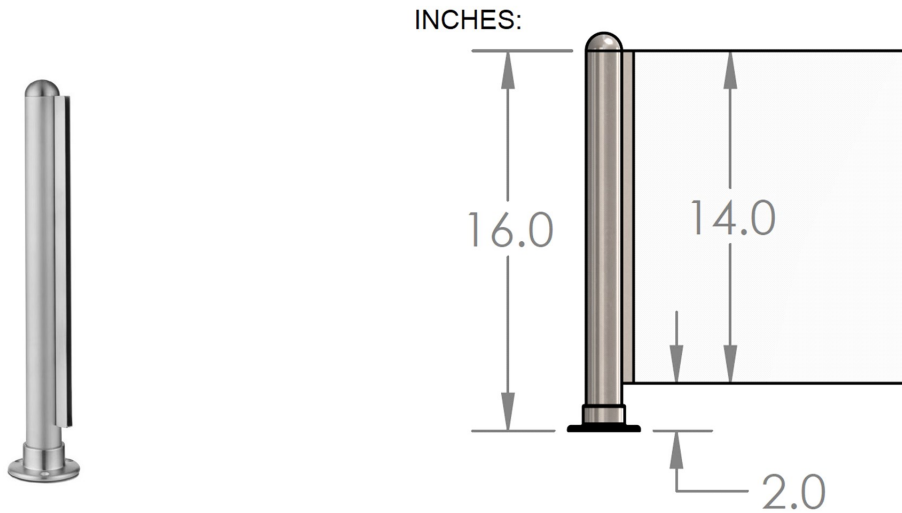


**44-PR51/E 16" High Booth Divider End Post in Satin Stainless Steel 304**



The 44-PR51/E Divider Booth Post is made of brushed (satin) 304 grade stainless steel, 1-1/2" round tube, has a height of 16", and is designed to hold a 1/4" thick panel. Each post comes with a half-ball end cap on top, a round flange attached at the bottom, and one channel that holds a panel in place.

The u channel comes with a stopper at the bottom that allows for the panel to be 2" above the finished floor.

Maximum center-to-center post spacing is 4 feet.

**Material Care:** Maintain with stainless steel cleaner and protectant, item# CAE-ZCLeankIT.

Consult local building codes for rail height, wall offset and other requirements.

Call toll free at 877-810-4116 to speak with a product specialist.