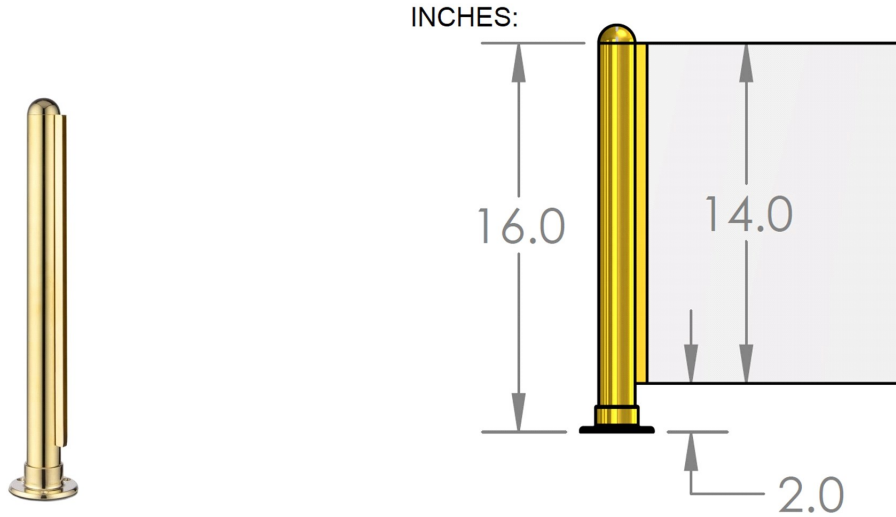


## 00-PR51/E 16" High Booth Divider End Post in Polished Brass



The 00-PR51/E Divider Booth Post is made of brass, 1-1/2" round tube, has a height of 16", and is designed to hold a 1/4" thick panel. Each post comes with a half-ball end cap on top, a round flange attached at the bottom, and one channel that holds a panel in place.

The u-channel comes with a stopper at the bottom that allows for the panel to be 2" above the finished floor.

Maximum center-to-center post spacing is 4 feet.

**Material Care:** Maintain a polished finish with metal polish, item# 00202. Apply with a soft, damp cloth.

Consult local building codes for rail height, wall offset and other requirements.

Call toll free at 877-810-4116 to speak with a product specialist.