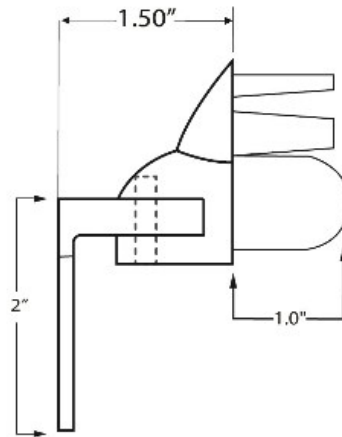


969TW Top Rail Horizontal Swivel Bracket - White



The Top Post Horizontal Swivel Bracket is made of cast aluminum and is available in a white painted finish. It is designed to mount on to our 9000/36/F and 9000/42/F receiver posts and will hold the top top rail of our level picket rail panels 3642L. The bracket swivels from side to side, allowing the panels to be set at an angle other than 180 or 90 degrees.

Mount the bracket on the posts using our 310-9 screws.

Connect the panels to the brackets using our 912-9 binder bolts.

Consult local building code for specific requirements in your area.

Call customer service for specific project take-offs and lead time information. Select items are in stock and can ship in 24-48 hours.