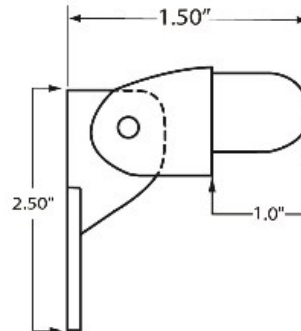


**956-D Bottom Rail Vertical Swivel Bracket - Dark Bronze**



The Bottom Post Vertical Swivel Bracket is made of cast aluminum and is available in a dark bronze painted finish. It is designed to mount towards the bottom of our 9000/36/F and 9000/42/F receiver posts and will hold the bottom rails of our stair picket rail panels 3642S. The bracket swivels up and down, allowing the panels to be set at the standard stair angle of 32.5 degrees.

Mount the bracket on the posts using our 310-9 screws (sold separately - see related items).

Connect the panels to the brackets using our 912-9 binder bolts (sold separately - see related items).

Consult local building code for specific requirements in your area.

Call customer service for specific project take-offs and lead time information. Select items are in stock and can ship in 24-48 hours.