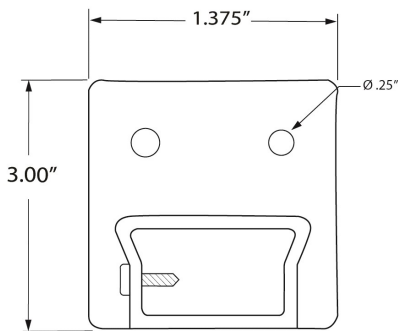


947BB SPEC SHEET

BuyRailings 71 Commerce Drive Brookfield, CT 06804 T 877-810-4116 F +1-203-930-3620 www.buyrailings.com

947BB Bottom Rail Level End Bracket - Black



This Bottom Post End Bracket is made of cast aluminum and is in a black painted finish. It is designed to mount towards the bottom of our 9000/36/F and 9000/42/F receiver posts and will hold the bottom rails of our level picket rail panels 3642L.

Mount the bracket on the post using our 310-9 screws.

Connect the panels to the brackets using our 912-9 binder bolts.

Consult local building code for specific requirements in your area.

Call customer service for specific project take-offs and lead time information. Select items are in stock and can ship in 24-48 hours.