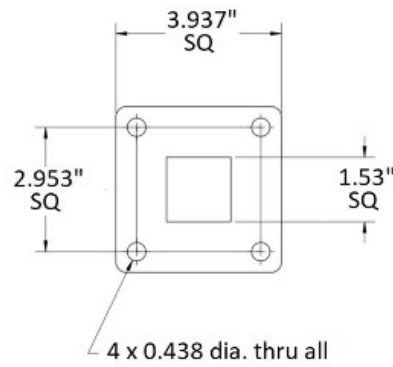


49-593/1H Welding Flange for 1-1/2" Square Tubing



Flanges designed to be welded to corresponding tube. Not to be used with adhesive or fasteners.