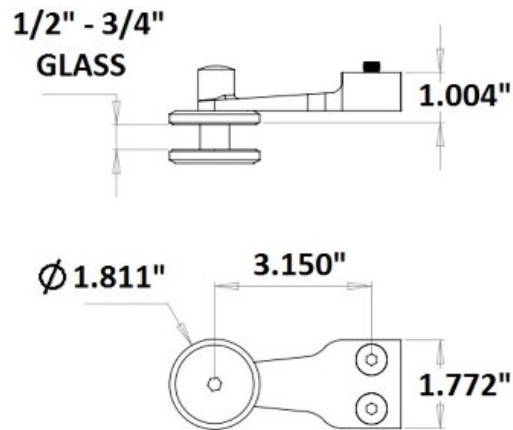


49-876E/F/3 Glass Spider Single in Satin Stainless Steel 316 - Flat Mount - for Glass Thickness 1/2" or 3/4"



Glass holder designed to hold 1/2 - 3/4 inch thick glass.

Mount on to square posts or a flat surface to create an end post.

Each bracket includes 2 of the following counter sunk screws in 316SST.

M8 x 1.25 x 25mm