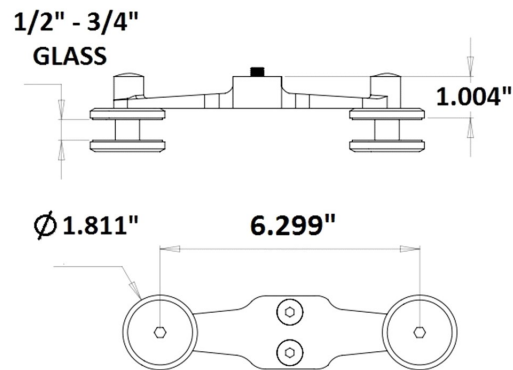


49-876C/F/3 Glass Spider Double in Satin Stainless Steel 316 - Flat Mount - for Glass Thickness-1/2" or 3/4"



Glass holder designed to hold 1/2 - 3/4 inch thick glass.

Mount on to square posts or a flat surface to create a center post.

Each bracket includes 2 of the following counter sunk screws in 316SST.

M8 x 1.25 x 25mm