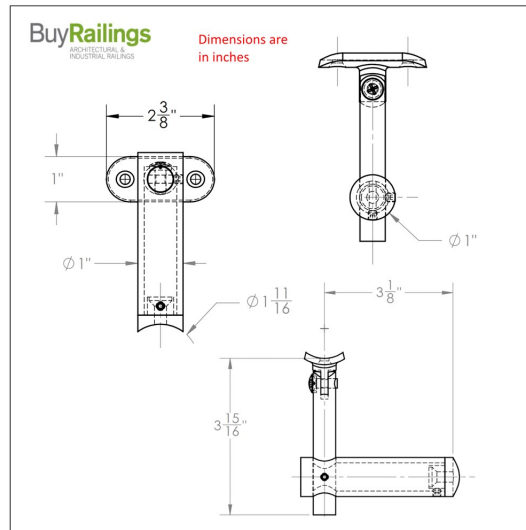


49-309P/1H Adjustable Side Mount Bracket for Posts in Satin Stainless Steel 316 for Handrail Tubing Size 1.5" OD and 1.67" Post



This bracket is designed to mount on to 1.67" diameter vertical posts.

(Qty 2) QS-113 screws sold separately - used to connect saddle to handrail.

(Qty 1) QS-113 screw sold separately - used to connect bracket to 1.67" diameter vertical post.

Mount the back plate on 1.67" diameter posts (tube item# A114).

Small set screw size: 2.5 mm hex.

Saddle screw size: 4mm hex.

Use A110, A111 or A114 as handrail (1.5 or 1.67" diameter tube).