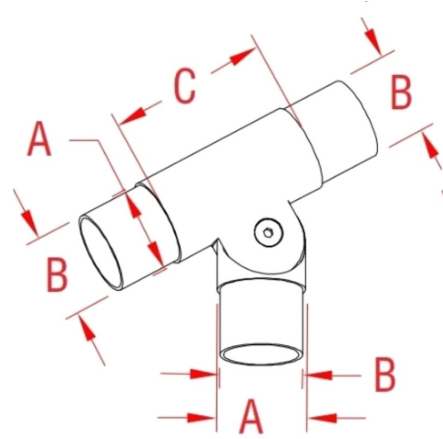


**47-734A/216** Adjustable Flush Tee in Polished Stainless Steel 316 for Tubing Size-2" OD (0.06" Wall)



| A     | B     | C     | WT (lbs) |
|-------|-------|-------|----------|
| 2.00" | 1.88" | 2.75" | 2.02     |

A streamlined look is achieved with the use of flush fittings. Different options ensure simple assembly and flexibility to accommodate any project. Our flush fittings feature a 1" long sleeve (The longest in the industry) for added strength and adhesive coverage.

Note:

**Flush fittings DO NOT include screws.** Attach tube to fitting with Lido Weld adhesive, LB-00201.