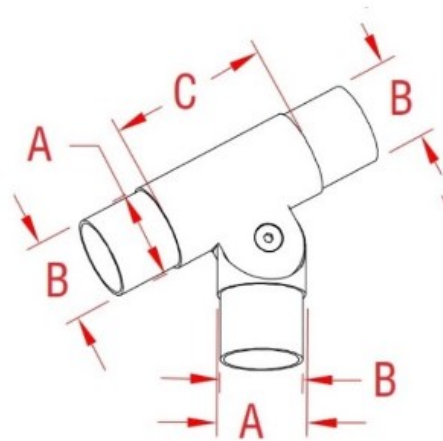


49-734A/216 Adjustable Flush Tee in Satin Stainless Steel 316 for Tubing Size-2" OD (0.06" Wall)



A	B	C	WT (lbs)
2.00"	1.88"	2.75"	2.02

A streamlined look is achieved with the use of flush fittings. Different options ensure simple assembly and flexibility to accommodate any project. Our flush fittings feature a 1" long sleeve (The longest in the industry) for added strength and adhesive coverage.

Note:

Flush fittings DO NOT include screws. Attach tube to fitting with Lido Weld adhesive, LB-00201.