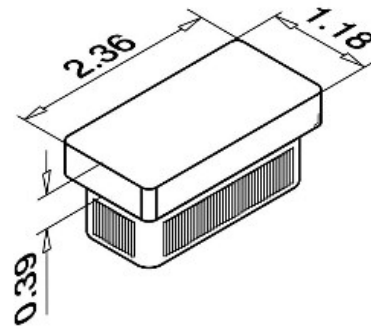


49-RL5728/6030 Rectangular End Cap in Satin Stainless Steel 316 For Tubing Size 2.36"x1.18"x0.1" (60x30x2.6mm)



RL5728



Measurements are in inches

Use this "easy hit" pressure fit end cap to fit into rectangular tube, item# 49-RL4920/6030.