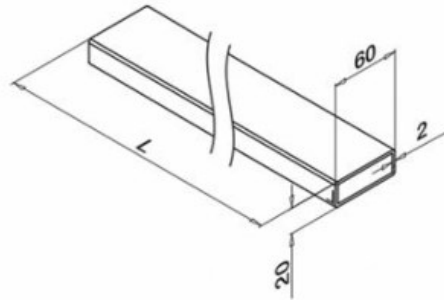


49-RL4920/6020 2.36" x 0.78" Rectangular Tubing - 316 Grade Satin (Brushed) Stainless Steel (60x20x2.0mm)



49-RL4920/6020 architectural rectangular tube is available in stainless steel, has a 2.36" width and a 0.78" height, and is available in stock lengths up to 16 feet.

This tube can be used in a variety of applications including, but not limited to

- Hand railing
- Queuing railing
- Pony rail (mounted on top of a wall)
- Shelving systems

Shipping:

Lengths up to 8 feet can ship by UPS.

Lengths longer than 8 feet ship by LTL freight (truck).

The shipping cost for items 8 feet (96 inches) and over is notably higher because of freight carrier surcharges. To avoid this additional expense we ask that you consider ordering a shorter length, if possible. We can provide custom cut lengths just below 8 feet. Contact us for details.

Call toll free at 877-810-4116 to talk to a specialist about your specific application.