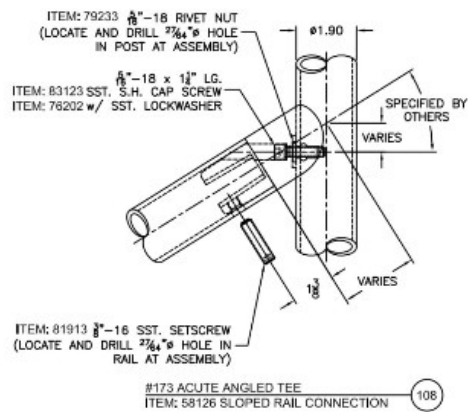


58126-32 Acute Angle Tee Aluminum Satin Anodized For Pipe Size 1-1/2" IPS. Angle 32°



A Rivet Nut tool is required to assemble Interna-Rail fittings

[Installation Instructions](#)

- Use on right side of stair going down