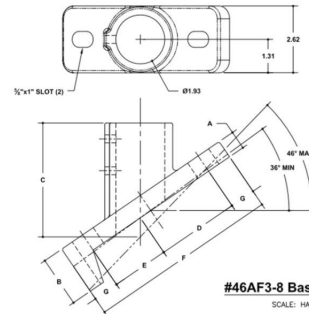


28190-46 Angle Base Flange (46° - 5/8"x1" slots) Aluminum Magnesium 1-1/2" IPS (1.94" ID)



#46AF3-8 Base Flange

SCALE: HALF

| PIPE SIZE 1½" - ENGLISH UNITS (Inches) | | | | | | | | | | | PIPE SIZE 48mm - METRIC UNITS (mm) | | | | | | | | | | |
|--|------|------|------|------|------|------|------|---|---|---|------------------------------------|----|----|-----|----|----|-----|----|---|---|---|
| BASE ANGLE | A | B | C | D | E | F | G | H | J | K | BASE ANGLE | A | B | C | D | E | F | G | H | J | K |
| 46 DEG. | 0.38 | 1.93 | 4.47 | 3.25 | 2.25 | 7.50 | 1.00 | | | | 46 DEG. | 10 | 49 | 114 | 83 | 57 | 191 | 25 | | | |
| 45 DEG. | 0.38 | 1.79 | 4.38 | 3.25 | 2.25 | 7.50 | 1.00 | | | | 45 DEG. | 10 | 45 | 111 | 83 | 57 | 191 | 25 | | | |
| 44 DEG. | 0.38 | 1.66 | 4.28 | 3.25 | 2.25 | 7.50 | 1.00 | | | | 44 DEG. | 10 | 42 | 108 | 83 | 57 | 191 | 25 | | | |
| 43 DEG. | 0.38 | 1.52 | 4.15 | 3.25 | 2.25 | 7.50 | 1.00 | | | | 43 DEG. | 10 | 39 | 105 | 83 | 57 | 191 | 25 | | | |
| 42 DEG. | 0.38 | 1.39 | 4.03 | 3.25 | 2.25 | 7.50 | 1.00 | | | | 42 DEG. | 10 | 35 | 102 | 83 | 57 | 191 | 25 | | | |
| 41 DEG. | 0.38 | 1.26 | 3.93 | 3.25 | 2.25 | 7.50 | 1.00 | | | | 41 DEG. | 10 | 32 | 100 | 83 | 57 | 191 | 25 | | | |
| 40 DEG. | 0.38 | 1.13 | 3.82 | 3.25 | 2.25 | 7.50 | 1.00 | | | | 40 DEG. | 10 | 29 | 97 | 83 | 57 | 191 | 25 | | | |
| 39 DEG. | 0.38 | 0.99 | 3.72 | 3.25 | 2.25 | 7.50 | 1.00 | | | | 39 DEG. | 10 | 25 | 94 | 83 | 57 | 191 | 25 | | | |
| 38 DEG. | 0.45 | 0.84 | 3.52 | 3.25 | 2.25 | 7.50 | 1.00 | | | | 38 DEG. | 11 | 24 | 84 | 83 | 57 | 191 | 25 | | | |
| 37 DEG. | 0.52 | 0.68 | 3.72 | 3.25 | 2.25 | 7.50 | 1.00 | | | | 37 DEG. | 13 | 22 | 84 | 83 | 57 | 191 | 25 | | | |
| 36 DEG. | 0.60 | 0.52 | 3.72 | 3.25 | 2.25 | 7.50 | 1.00 | | | | 36 DEG. | 15 | 21 | 84 | 83 | 57 | 191 | 25 | | | |