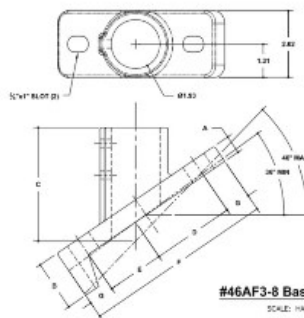


28190-45 Angle Base Flange (45° - 5/8"x1" slots) Aluminum Magnesium 1-1/2" IPS (1.94" ID)



PIPE SIZE IN - DIMENSIONS (INches)										PIPE SIZE 40mm - METRIC (mm)												
RAMP ANGLE	A	B	C	D	E	F	G	H	J	K	RAMP ANGLE	A	B	C	D	E	F	G	H	J	K	
45 DEG. C-10	1.50	4.42	2.00	1.00	1.94	1.00					45 DEG. 10	40	114	50	50	50						
45 DEG. C-20	1.50	4.26	2.00	1.00	1.94	1.00					45 DEG. 10	40	111	50	50	50						
45 DEG. C-30	1.50	4.10	2.00	1.00	1.94	1.00					45 DEG. 10	40	108	50	50	50						
45 DEG. C-40	1.50	3.94	2.00	1.00	1.94	1.00					45 DEG. 10	40	105	50	50	50						
47 DEG. C-10	1.50	4.00	2.00	1.00	1.94	1.00					47 DEG. 10	35	102	45	45	50						
47 DEG. C-20	1.50	3.84	2.00	1.00	1.94	1.00					47 DEG. 10	35	99	45	45	50						
45 DEG. C-10	1.50	2.00	2.00	1.00	1.94	1.00					45 DEG. 10	30	80	40	40	50						
45 DEG. C-20	1.50	1.84	2.00	1.00	1.94	1.00					45 DEG. 10	25	77	40	40	50						
45 DEG. C-30	1.50	1.68	2.00	1.00	1.94	1.00					45 DEG. 10	20	74	40	40	50						
45 DEG. C-40	1.50	1.52	2.00	1.00	1.94	1.00					45 DEG. 10	15	71	40	40	50						