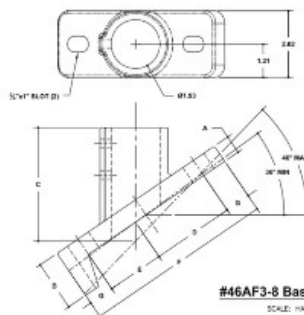


28190-43 Angle Base Flange (43° - 5/8"x1" slots) Aluminum Magnesium 1-1/2" IPS (1.94" ID)



#46AF3-8 Base Flange
SCALE: HALF

PIPE SIZE IN - SLOTS IN UNITS Inches										PIPE SIZE 40mm - METRIC UNITS mm											
RAMP ANGLE	A	B	C	D	E	F	G	H	J	K	RAMP ANGLE	A	B	C	D	E	F	G	H	J	K
46 DEG. C10	1.57	4.47	3.03	1.25	1.94	1.89					46 DEG. C10	40	114	77	32	50	49				
45 DEG. C10	1.79	4.28	3.22	1.25	1.94	1.89					45 DEG. C10	45	117	80	33	50	49				
44 DEG. C10	1.99	4.09	3.41	1.25	1.94	1.89					44 DEG. C10	45	120	83	34	50	49				
43 DEG. C10	2.23	3.91	3.61	1.25	1.94	1.89					43 DEG. C10	45	123	86	35	50	49				
42 DEG. C10	2.51	3.74	3.82	1.25	1.94	1.89					42 DEG. C10	45	126	89	36	50	49				
41 DEG. C10	2.83	3.58	4.04	1.25	1.94	1.89					41 DEG. C10	45	130	92	37	50	49				
40 DEG. C10	3.21	3.43	4.27	1.25	1.94	1.89					40 DEG. C10	45	134	95	38	50	49				
39 DEG. C10	3.65	3.29	4.51	1.25	1.94	1.89					39 DEG. C10	45	138	98	39	50	49				
38 DEG. C10	4.17	3.16	4.76	1.25	1.94	1.89					38 DEG. C10	45	142	101	40	50	49				
37 DEG. C10	4.78	3.04	5.02	1.25	1.94	1.89					37 DEG. C10	45	146	104	41	50	49				
36 DEG. C10	5.49	2.93	5.29	1.25	1.94	1.89					36 DEG. C10	45	150	107	42	50	49				