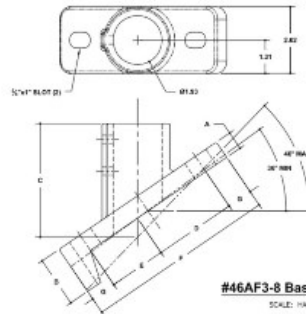


28190-42 Angle Base Flange (42° - 5/8"x1" slots) Aluminum Magnesium 1-1/2" IPS (1.94" ID)



#46AF3-8 Base Flange

SCALE: HALF

PIPE SIZE IN - UNITS (INches)										PIPE SIZE 40mm - METRIC UNITS (mm)												
RAMP ANGLE	A	B	C	D	E	F	G	H	J	K	RAMP ANGLE	A	B	C	D	E	F	G	H	J	K	
46 DEG.	0.50	1.93	4.42	3.03	1.25	1.96	1.80				46 DEG.	12.7	49.1	112.1	76.9	31.7	49.3	45.7	45.7	25.4	50.8	25.4
45 DEG.	0.50	1.79	4.26	2.87	1.25	1.90	1.80				45 DEG.	12.7	45.7	111.8	76.2	31.7	47.6	45.7	45.7	25.4	50.8	25.4
44 DEG.	0.50	1.66	4.09	2.69	1.25	1.85	1.80				44 DEG.	12.7	42.5	109.8	75.0	31.7	45.7	45.7	45.7	25.4	50.8	25.4
43 DEG.	0.50	1.53	3.92	2.51	1.25	1.80	1.80				43 DEG.	12.7	39.1	107.6	73.3	31.7	45.7	45.7	45.7	25.4	50.8	25.4
42 DEG.	0.50	1.39	3.75	2.33	1.25	1.75	1.80				42 DEG.	12.7	35.4	105.4	71.6	31.7	45.7	45.7	45.7	25.4	50.8	25.4
41 DEG.	0.50	1.26	3.58	2.15	1.25	1.70	1.80				41 DEG.	12.7	31.8	103.2	69.9	31.7	45.7	45.7	45.7	25.4	50.8	25.4
40 DEG.	0.50	1.13	3.41	1.97	1.25	1.65	1.80				40 DEG.	12.7	28.1	101.0	68.3	31.7	45.7	45.7	45.7	25.4	50.8	25.4
39 DEG.	0.50	1.00	3.24	1.79	1.25	1.60	1.80				39 DEG.	12.7	24.4	98.8	66.7	31.7	45.7	45.7	45.7	25.4	50.8	25.4
38 DEG.	0.50	0.88	3.07	1.61	1.25	1.55	1.80				38 DEG.	12.7	20.6	96.6	65.1	31.7	45.7	45.7	45.7	25.4	50.8	25.4
37 DEG.	0.50	0.75	2.90	1.43	1.25	1.50	1.80				37 DEG.	12.7	16.8	94.4	63.5	31.7	45.7	45.7	45.7	25.4	50.8	25.4
36 DEG.	0.50	0.63	2.73	1.25	1.25	1.45	1.80				36 DEG.	12.7	13.0	92.2	61.9	31.7	45.7	45.7	45.7	25.4	50.8	25.4