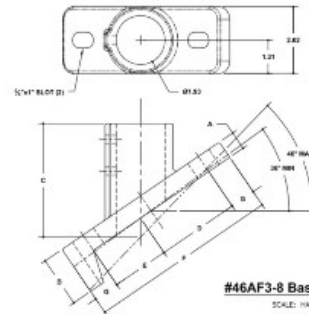


**28190-37** Angle Base Flange (37° - 5/8"x1" slots) Aluminum Magnesium 1-1/2" IPS (1.94" ID)



PIPE SIZE IN - DIMENSIONS IN INCHES											PIPE SIZE 40mm - METRIC UNITS mm											
RAMP ANGLE	A	B	C	D	E	F	G	H	J	K	RAMP ANGLE	A	B	C	D	E	F	G	H	J	K	
46 DEG. C10	1.93	4.42	3.03	1.25	1.96	1.89					46 DEG. C10	49.1	112.1	77.0	31.8	50.0	48.0					
45 DEG. C10	1.79	4.28	3.02	1.25	1.96	1.89					45 DEG. C10	45.7	111.1	76.9	31.8	50.0	48.0					
44 DEG. C10	1.66	4.16	3.02	1.25	1.96	1.89					44 DEG. C10	42.3	109.8	76.9	31.8	50.0	48.0					
43 DEG. C10	1.53	4.05	3.02	1.25	1.96	1.89					43 DEG. C10	39.0	108.5	76.9	31.8	50.0	48.0					
42 DEG. C10	1.41	3.95	3.02	1.25	1.96	1.89					42 DEG. C10	35.7	107.2	76.9	31.8	50.0	48.0					
41 DEG. C10	1.29	3.85	3.02	1.25	1.96	1.89					41 DEG. C10	32.4	105.9	76.9	31.8	50.0	48.0					
40 DEG. C10	1.17	3.75	3.02	1.25	1.96	1.89					40 DEG. C10	29.1	104.6	76.9	31.8	50.0	48.0					
39 DEG. C10	1.06	3.65	3.02	1.25	1.96	1.89					39 DEG. C10	25.8	103.3	76.9	31.8	50.0	48.0					
38 DEG. C10	0.94	3.55	3.02	1.25	1.96	1.89					38 DEG. C10	22.5	102.0	76.9	31.8	50.0	48.0					
37 DEG. C10	0.83	3.45	3.02	1.25	1.96	1.89					37 DEG. C10	19.2	100.7	76.9	31.8	50.0	48.0					
36 DEG. C10	0.72	3.35	3.02	1.25	1.96	1.89					36 DEG. C10	15.9	99.4	76.9	31.8	50.0	48.0					