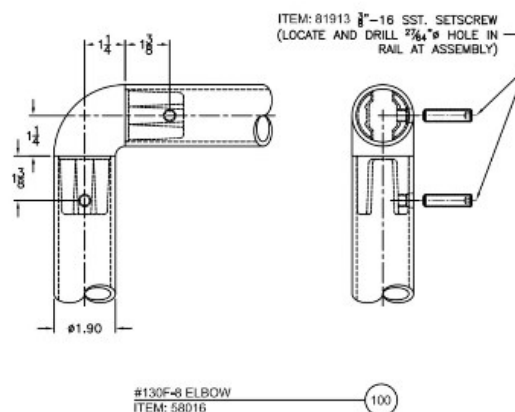


56016 Anodized Aluminum Pipe Size 1-1/4" IPS Elbow



A modular handrail system designed to meet the railing requirements for the Americans with Disabilities Act.

An ADA rail is the framework of (usually) two horizontal rails supported by vertical posts, manufactured from fittings and pipe. This particular type of railing provides a continuous gripping surface throughout its length.

ADA rails provide a grip to help support an individual with a disability. ADA rails are also used on ramps to help a person in/with a wheel chair, walker or cane safely go up the ramp.

ADA rails are used by architects, engineers, contractors, safety managers, government installations, public buildings, offices, banks, schools, and anywhere a person with a disability would need to access, particularly where a ramp is required.

The ADA rail does not require a welder or detailed design drawings and can be assembled on site by standard labor. Materials are all aluminum and will not rust or deteriorate.

A Rivet Nut tool is required to assemble Interna-Rail fittings