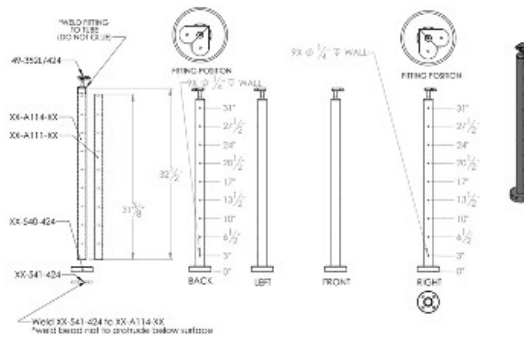
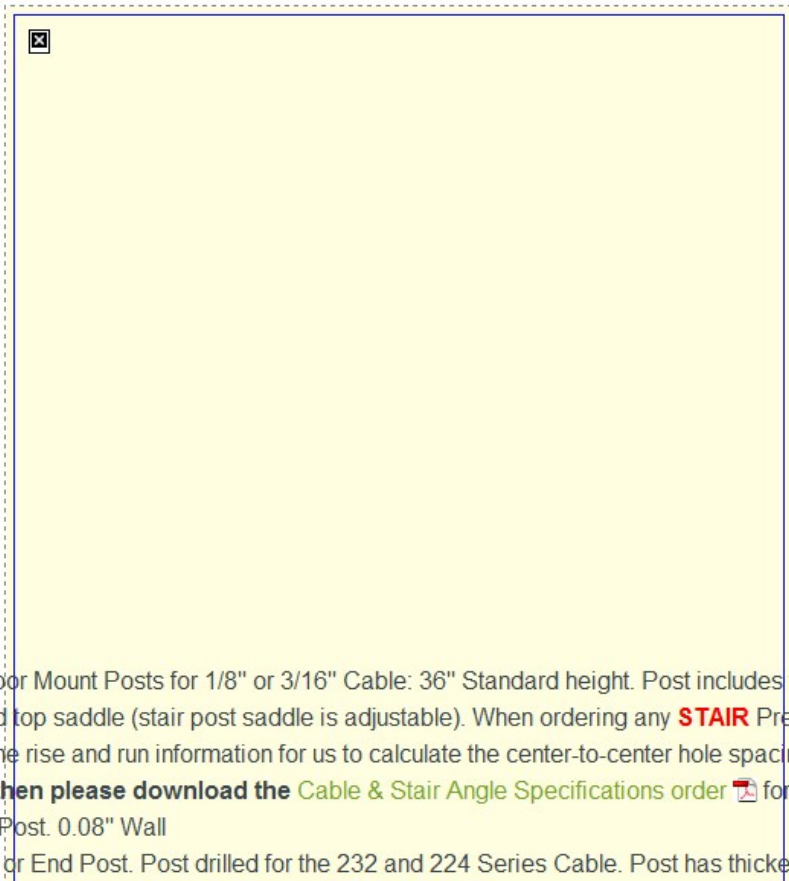


**49-C424/36/F/B/L/SF 36" Round Corner Post (1.67"/42.4mm OD/0.14" Wall) - Floor Mount - Fixed Saddle - Satin 316 Stainless Steel - for 1/8" or 3/16" Cable**



**CableRail Previous Projects Gallery**



Prefabricated Floor Mount Posts for 1/8" or 3/16" Cable: 36" Standard height. Post includes the pre-drilled holes, welded flange, flange canopy cover and top saddle (stair post saddle is adjustable). When ordering any **STAIR** Prefabricated Post for Cable Railings . Please provide the rise and run information for us to calculate the center-to-center hole spacing of the posts. **If your stairs are not angled are 34° then please download the Cable & Stair Angle Specifications order form** here and email it or fax back to us.  
Center = Center Post. 0.08" Wall  
End = Beginning or End Post. Post drilled for the 232 and 224 Series Cable. Post has thicker 0.14" Wall

Stair = Angle drilled holes for stair installation at 34°. 0.14" Wall

Wood & Stainless

End Stair = Beginning or End Post. Angle drilled holes for stair installation at 34°. 0.14" Wall. Use 2-3/8" Cable Fittings (224 Series)  
Corner = Corner Post is fabricated with two 90 degree drilled holes permitting the use of a single post corner instead of a double post corner. Post has thicker 0.14" Wall (Contact a representative for more details)

**\*\*Important:**

- Cable Rail installation with directional changes must not exceed 40 feet or 2 Corners.
- Straight installation of Cable Rail can extend up to a maximum of 50 feet.
- For double corner posts, do not space more than 4" apart.
- Spacing between posts must not exceed 4 Feet.
- Floor mounting bolts are NOT included.

[Cable Installation With Metal Posts](#)