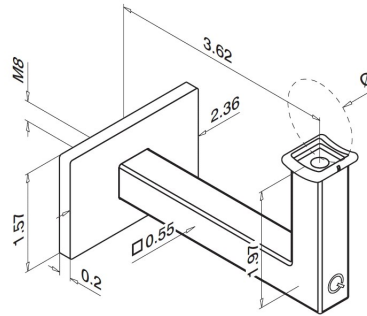
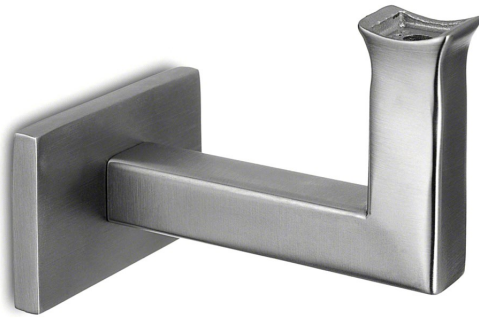


49-4101/1H Square Line Handrail Bracket 316 Stainless Steel for 1.5" OD Tubing



- (1) QS-171 Screw attaches bracket to tube and is sold separately.
- (1) QS-2 Mounting Bolt sold separately.