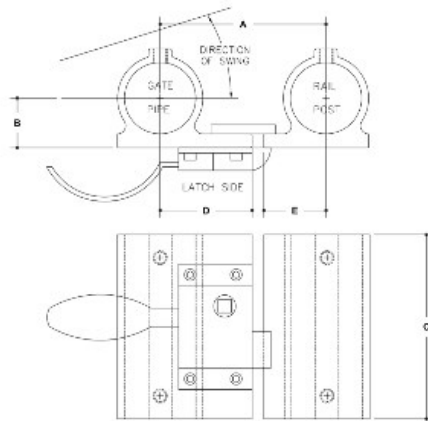


**51015** Aluminum Gate Latch Pipe Size 1-1/2" IPS



**Gate Latch**

SCALE: HALF

PIPE SIZE	ENGLISH UNITS (Inches)					PIPE SIZE	METRIC UNITS (mm)				
	A	B	C	D	E		A	B	C	D	E
2"	4.50	1.65	5.00	2.55	1.29	2"	114	41	127	64	43
1 1/2"	4.50	1.50	5.00	2.55	1.29	1 1/2"	114	38	127	64	43
1 1/4"	4.50	1.50	5.00	2.55	1.29	1 1/4"	114	38	127	64	43