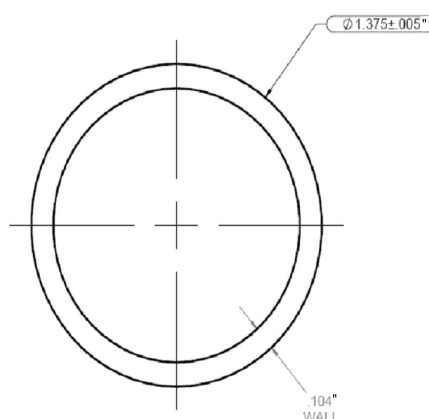


20-A110SL Steel Insert for 1-1/2" Diameter Tubing



The 20-A110SL steel insert has a 1-3/8" outside diameter and fits inside 1-1/2" x 0.05" wall architectural tube. The insert serves to reinforce the tube and is available in 12 foot stock lengths.

Application where this inserts is commonly used

- Vertical railing posts
- Closet rod
- Dance poles

Hardware Included:

No hardware is included with this item.

Related Items:

Insert into 00-A110, 40-A110 or 44-A110.

Shipping:

Lengths up to 8 feet can ship by UPS.

Lengths longer than 8 feet ship by LTL freight (truck).

The shipping cost for items 8 feet (96 inches) and over is notably higher because of freight carrier surcharges. To avoid this additional expense we ask that you consider ordering a shorter length, if possible. We can provide custom cut lengths just below 8 feet. Contact us for details.

Call toll free at 877-810-4116 to talk to a specialist about your specific application.