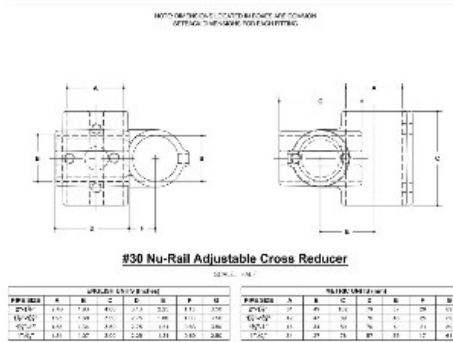


00500 Reducing Fitting Nu-Rail Adj. Cross Aluminum Magnesium Pipe Size 3/4" x 1" IPS



- Quick and easy way to assemble structural pipe systems • Galvanized malleable iron
- Reduce labor costs by 70% • 100% reusable • No welding or threading • No drilling or bolting

Strong, malleable iron, slip-on pipe fittings with from one to five case-hardened set screws per fitting – depending on the number of pipes to be joined at one joint.

For slip-on aluminum fittings. These fittings can support an axial load of 2000 lbs per set screw with the set screw tightened to a torque of 29 lbs/ft. This is normally obtained when the screw is fully tightened using a ratchet wrench.

30-8 is adjustable between 30° and 45° from the horizontal.