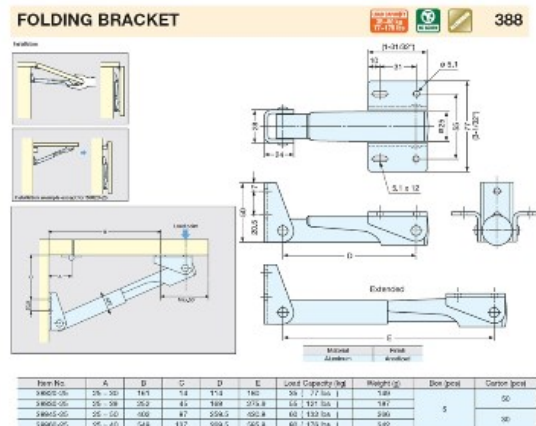


SG-38830-25 11" Folding Bracket Anodized Aluminum. 121 Lbs Load Capacity



- - Automatically Locks when flap is in open position
- - Has release lever for un-locking
- - For panel thickness 15~35mm (19/32"~1-3/8")
- - Required Quantity:
 - o Width up to 600mm (23-5/8")...1pc
 - o Width 600~1300mm (23-5/8"~51-3/16")...2pcs