




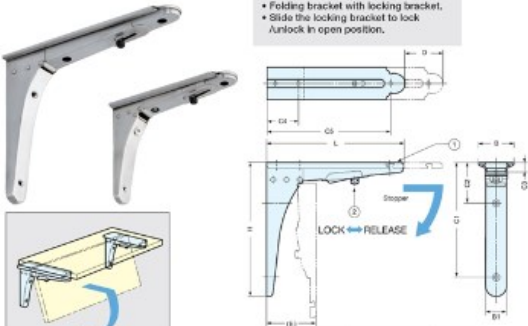
BuyRailings 71 Commerce Drive Brookfield, CT 06804 T 877-810-4116 F +1-203-930-3620 www.buyrailings.com

SG-BOS-180 Folding Bracket 304 Polished Stainless Steel 7-1/8" Load Capacity (88 LBS)



FOLDING BRACKET (W/STOPPER)    **BOS**

• Folding bracket with locking bracket.
• Slide the locking bracket to lock/unlock in open position.



Installation

Item No.	Load Capacity (kg/ps)	Weight (kg)	Box (pcs)	Carton (pcs)
BOS-180	40 (88 lbs)	475	1	20
BOS-240	33 (72 lbs)	770	1	20

NO.	Part Name	Material	Finish/Color
①	Body	304 Stainless Steel	Satin
②	Knob	Brass	Nickel
③	Cap	Elastomer	Black

Item No.	L	H	B	B1	D	(E)	C1	C2	C3	C4	C5
BOS-180	181 (7-1/8")	181 (7-1/8")	45.5 (1-51/64")	26	50 (#5)	155	95	11.5	42	162	
BOS-240	240 (9-7/16")	245 (9-11/64")			58 (#6)	210	70	12.5	80	215	

- Folding Bracket with locking bracket.
- Slide the locking bracket to lock/unlock in open position
- 304 Stainless Steel Finish: Satin Supplied with stainless steel screws