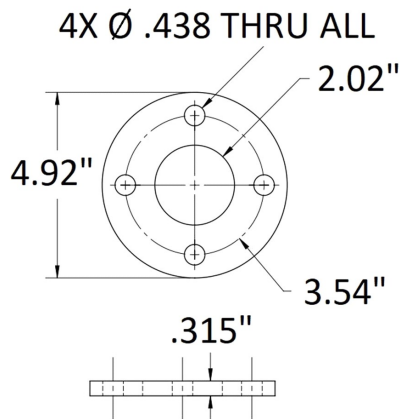
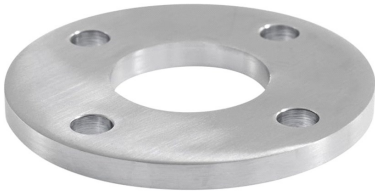


49-541/2 SPEC SHEET

BuyRailings 71 Commerce Drive Brookfield, CT 06804 T 877-810-4116 F +1-203-930-3620 www.buyrailings.com

49-541/2 Satin (Brushed) 316 Stainless Steel Welding Floor Flange 2" Tubing



This floor mount flange is made of type 316 stainless steel, has a brushed finish on one side and is designed to hold 2" OD round tube. It has four thru holes for mounting hardware. Weld this flange to the stainless steel tube that fits into the center hole.

Use with flange canopy 49-540/2 or 47-540/2 and tube 49-A121 or 47-A121.

Material Care: Clean with stainless steel cleaner and protectant, item# CAE-ZClearnIT.

Call toll free at 877-810-4116 to speak with a product specialist.