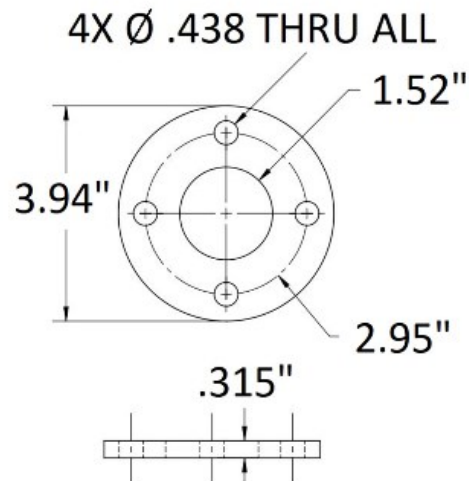


49-541/1H Satin (Brushed) 316 Stainless Steel Welding Floor Flange 1-1/2" Tubing



This floor mount flange is made of type 316 stainless steel, has a brushed finish on one side and is designed to hold 1-1/2" OD round tube. It has four thru holes for mounting hardware. Weld this flange to the stainless steel tube that fits into the center hole.

Use with flange canopy 49-540/1H or 47-540/1H and tube 49-A111 or 47-A111.

Material Care: Clean with stainless steel cleaner and protectant, item# CAE-ZCLeankIT.

Call toll free at 877-810-4116 to speak with a product specialist.