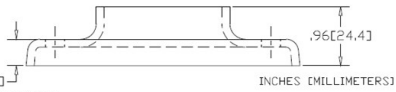
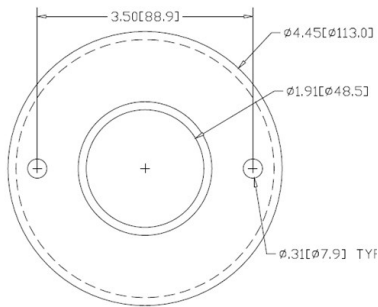


WA-1475 SPEC SHEET

BuyRailings 71 Commerce Drive Brookfield, CT 06804 T 877-810-4116 F +1-203-930-3620 www.buyrailings.com

WA-1475 Heavy Base Flange With Two Holes Aluminum Mill 1-1/2" IPS



*USE WITH ANCHOR PLATE
#B1440 IN STEEL
#PLB1440 ZINC PLATED STEEL
#B1540 IN STAINLESS STEEL