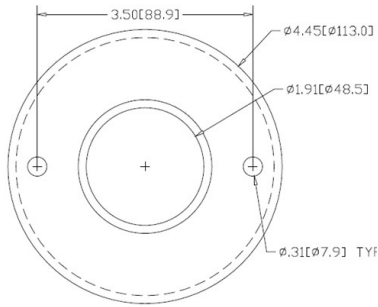


# WA-1435 SPEC SHEET

BuyRailings 71 Commerce Drive Brookfield, CT 06804 T 877-810-4116 F +1-203-930-3620 [www.buyrailings.com](http://www.buyrailings.com)

**WA-1435** Heavy Base Flange With Two Holes Steel 1-1/2" IPS



\*USE WITH ANCHOR PLATE  
#B1440 IN STEEL  
#PLB1440 ZINC PLATED STEEL  
#B1540 IN STAINLESS STEEL